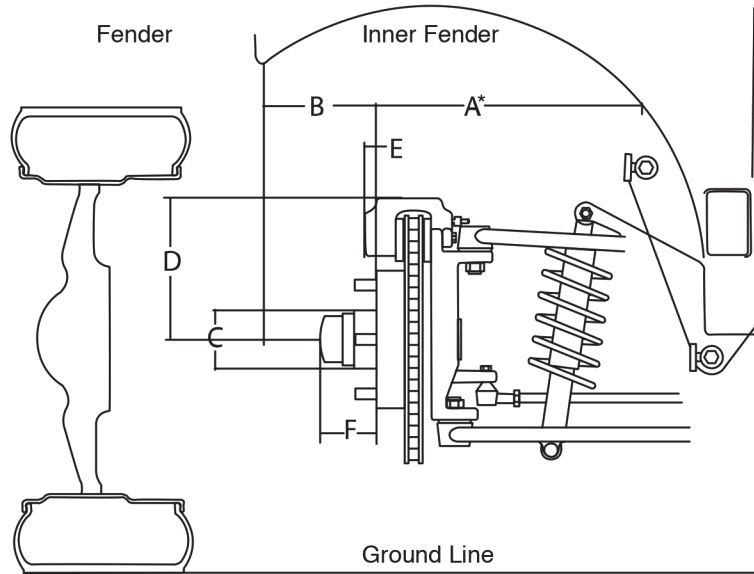


Front Wheel Sections

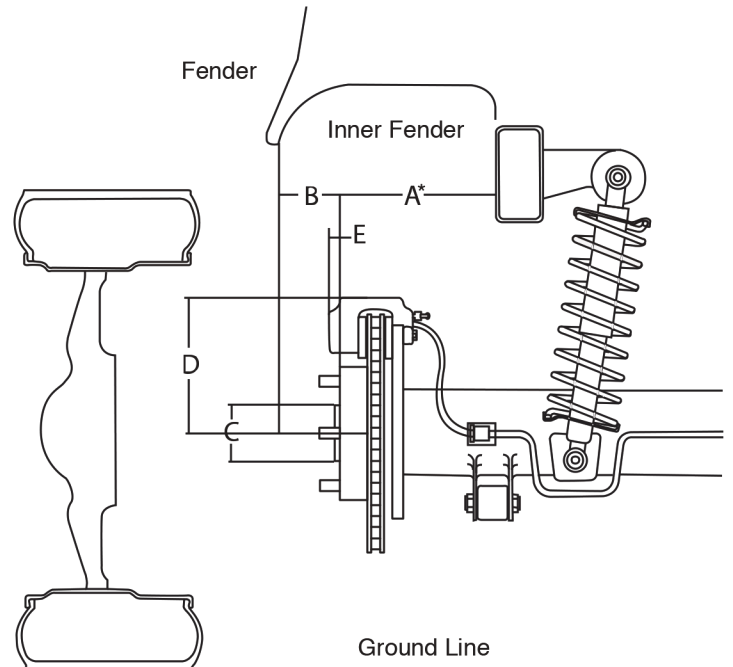
	Driver Side	Passenger Side
A.) Mounting surface to first obstruction frame side*	_____	_____
B.) Mounting surface to fender	_____	_____
C.) Hub Diameter	_____	_____
D.) Brake Diameter: Center to top of caliper x 2	_____	_____
E.) Protrusion of caliper past mounting surface	_____	_____
F.) Hub Length	_____	_____
Fender height from center of hub	_____	
Current wheel size _____ Backspace _____ Bolt pattern _____		



Current tire size _____ *First obstruction that wheel and tire may come in contact with

Rear Wheel Sections

	Driver Side	Passenger Side
A.) Mounting surface to first obstruction frame side*	_____	_____
B.) Mounting surface to fender	_____	_____
C.) Hub Diameter	_____	_____
D.) Brake Diameter: Center to top of caliper x 2	_____	_____
E.) Protrusion of caliper past mounting surface	_____	_____
Fender height from center of hub	_____	
Current wheel size _____ Backspace _____		
Current tire size _____ Bolt pattern _____		



*First obstruction that wheel and tire may come in contact with